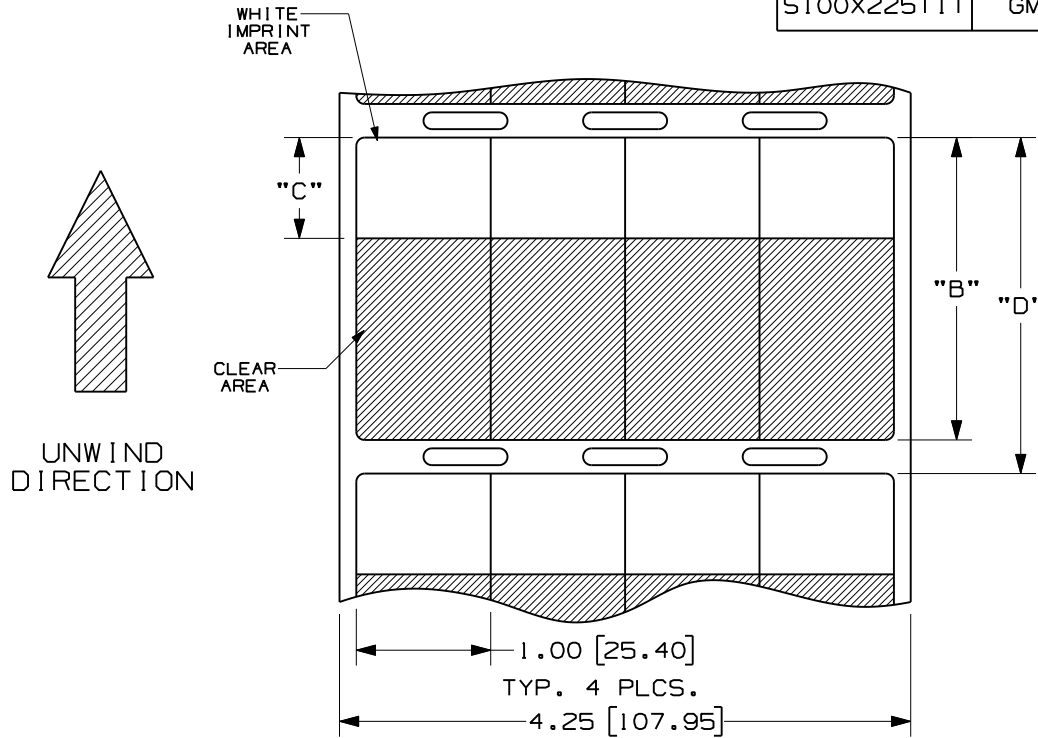


THIS COPY IS PROVIDED ON A RESTRICTED BASIS AND IS NOT TO BE USED IN ANY WAY DETRIMENTAL TO THE INTERESTS OF PANDUIT CORP.

| PART NUMBER | MATERIAL | "B"<br>HEIGHT    | IMPRINT<br>AREA "C"<br>+/- .062 | VERTICAL<br>REPEAT "D" | LABELS<br>PER<br>ROW | STANDARD<br>PKG. QTY. |
|-------------|----------|------------------|---------------------------------|------------------------|----------------------|-----------------------|
| S100X075T1T | GMTD1    | 0.75<br>[ 19.1 ] | 0.25 [ 6.35 ]                   | 1.00 [ 25.4 ]          | 4                    | 2500                  |
| S100X125T1T | GMTD1    | 1.25<br>[ 31.8 ] | 0.375<br>[ 9.52 ]               | 1.50 [ 38.1 ]          | 4                    | 2500                  |
| S100X150T1T | GMTD1    | 1.50<br>[ 38.1 ] | 0.50 [ 12.7 ]                   | 1.80 [ 45.7 ]          | 4                    | 2500                  |
| S100X225T1T | GMTD1    | 2.25<br>[ 57.2 ] | 0.75 [ 19.1 ]                   | 2.50 [ 63.5 ]          | 4                    | 1500                  |

NOTES:  
1. MILLIMETERS ARE IN [     ].



CAD FILENAME/LAYERS 100619PC-DC-C10871/00B

PANDUIT CORP. TINLEY PARK, ILLINOIS

CUSTOMER DRAWING  
PVDF SELF-LAM. S100X\*\*\*T1T  
THERMAL TRANSFER PRINTABLE LABELS

UNLESS OTHERWISE SPECIFIED,  
DIMENSIONAL TOLERANCES ARE:  
(.X) ± .12 (XXX) ± .025  
(.XX) ± .062 ANGLES ±

UNLESS OTHERWISE SPECIFIED,  
ALL DIMENSIONS ARE GIVEN  
IN INCHES, THIRD ANGLE PROJECTION.

DRAWN BY  
RVU

MAT'L:

SCALE NTS

DATE  
11/15/10

SEE TABLE

DRAWING NO.  
C10871

DWG  
A  
SIZE

| REV | DATE     | BY  | CHK | DESCRIPTION      | ECN  | R | CUST | SUP |
|-----|----------|-----|-----|------------------|------|---|------|-----|
| 0   | 11/15/10 | RVU |     | DRAWING RELEASE. | 6245 | R |      |     |